

Song + Associates

Architecture • Planning • Interior Design

1545 Centrepark Drive North

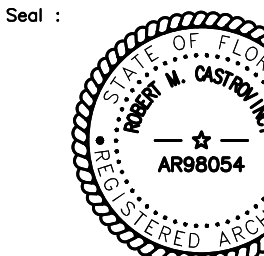
West Palm Beach, Florida 33401

Telephone: 561-655-2423

Fax: 561-655-1482

AA - 0003165 IB - 0001095

Seal:



NAME: ROBERT M. CASTROVINCI

LICENSE#: AR98054

DATE: 01-05-2022

CONSULTANTS:

COPYRIGHT © 2021 SONG & ASSOCIATES, INC. ALL RIGHTS RESERVED. These drawings and specifications are instruments of service and shall remain the property of Song & Associates, Inc. whether the project for which they were prepared is executed or not. They are not to be used in any manner on other projects or extensions to this project except by agreement in writing with the appropriate compensation to Song & Associates, Inc. Reproduction of drawings or specifications by anyone other than Florida Power & Light Company without the written consent of Song & Associates, Inc. is prohibited.

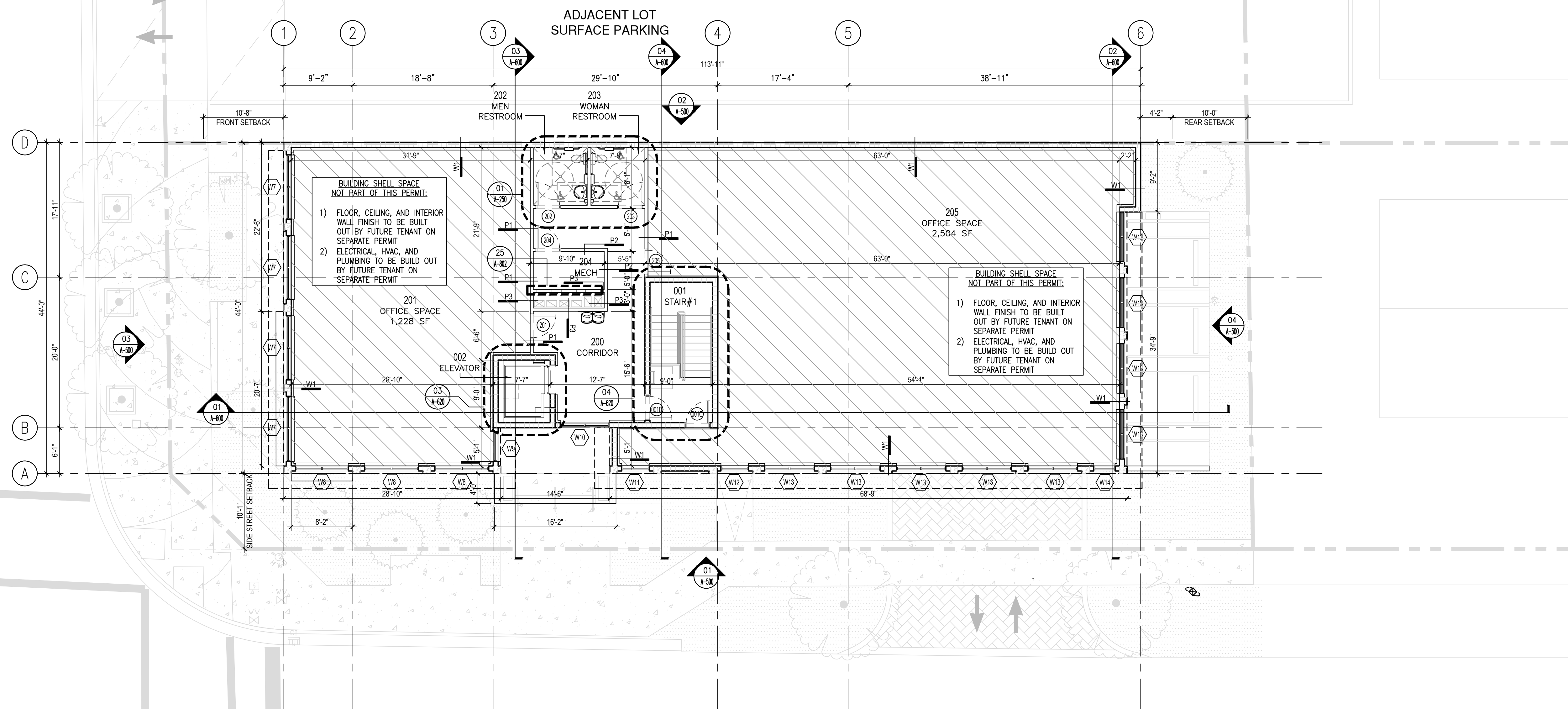
DELRAY BEACH CRA DEVELOPMENT



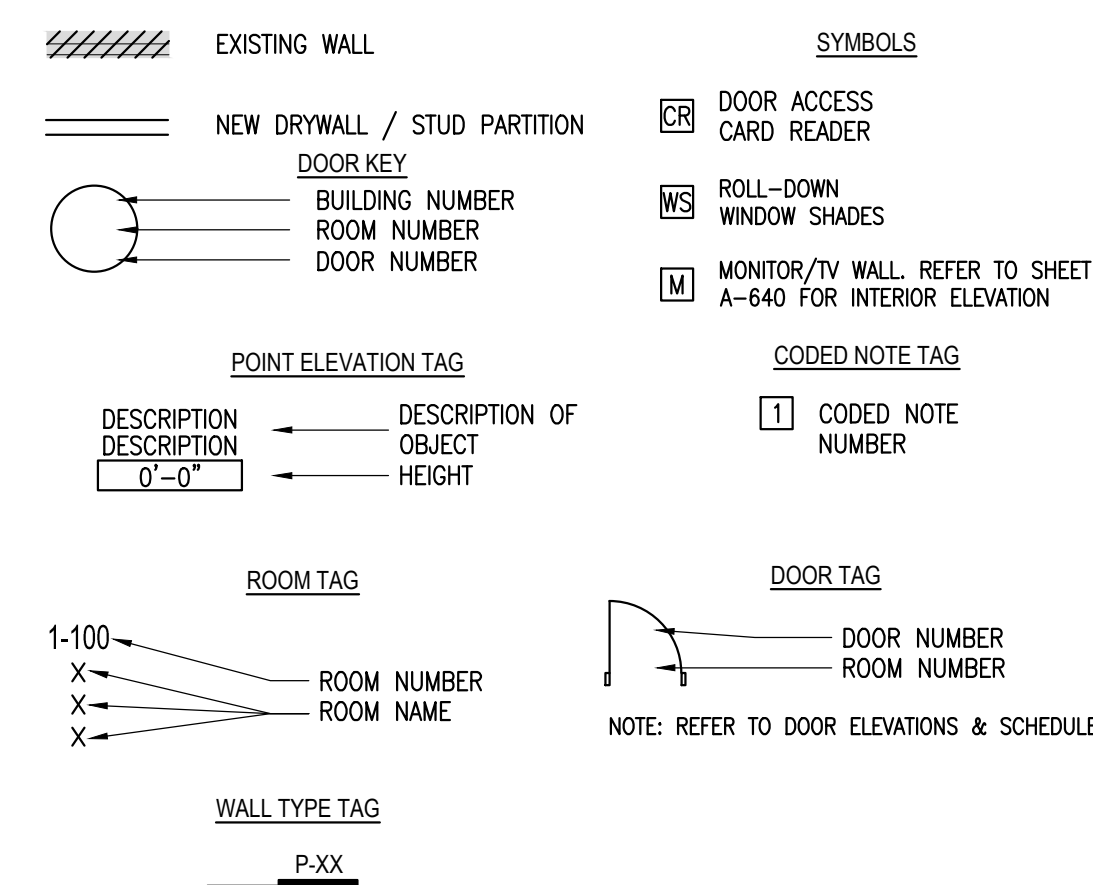
CRA DEVELOPMENT NEW BUILDING

95 SW 5TH AVE DELRAY BEACH, FL 33483

Key Plan:



FLOOR PLAN LEGEND



GENERAL NOTES

- 1. THE GENERAL CONTRACTOR SHALL VERIFY ALL DIMENSIONS AND EXISTING CONDITIONS PRIOR TO STARTING CONSTRUCTION. NOTIFY THE ARCHITECT OF ANY DISCREPANCIES OR ANY INCONSISTENCIES.
2. ALL DIMENSIONS FOR NEW WORK ARE TO FACE OF STUDS, FACE OF CMU OR CONC. AND CENTERLINES OF COLUMNS, UNLESS OTHERWISE INDICATED. ALL DIMENSIONS TO EXISTING ARE TO FACE OF FINISH UNLESS OTHERWISE INDICATED. DIMENSIONS TAKE PRECEDENCE OVER SCALING OF DRAWINGS.
3. INSTALL TYPICAL PARTITION TYPE P1 (REFER TO A-800) FOR ALL NEW PARTITIONS UNLESS OTHERWISE INDICATED.
4. ALL WOOD IN DIRECT CONTACT WITH MASONRY OR CONCRETE SHALL BE PRESSURE TREATED.
5. PROVIDE ALL REQUIRED BLOCKING AS NEEDED FOR EQUIPMENT SUPPORTS. COORDINATE WITH ALL TRADES AS REQUIRED. PROVIDE G-185 COATING FOR PT WOOD ANCHORS. REFER TO ASTM A123 AND A15
6. VERIFY SIZES OF ALL OWNER PROVIDED EQUIPMENT AND COORDINATE ALL OPENINGS, CLEARANCES, ELECTRICAL AND MECHANICAL REQUIREMENTS WITH THE OWNER PRIOR TO INSTALLATION.
7. UPON COMPLETION OF THE WORK, PROPERTY AND ADJACENT AREAS SHALL BE LEFT CLEAN AND SATISFACTORY TO THE OWNER AND THE ARCHITECT.
8. REFER TO A-800 SHEETS FOR ENLARGED INTERIOR DESIGN FLOOR PLAN DRAWINGS, FINISH LEGENDS, FINISH SCHEDULES, DETAILS AND LOCATIONS.
9. CONTRACTOR SHALL BE RESPONSIBLE FOR CUTTING, PATCHING AND FITTING OF ALL WORK IN A NEAT WORKMANLIKE MANNER. PROTECT ALL ADJACENT SURFACES FROM DAMAGE. PATCH AND REPAIR ALL WORK DAMAGED DURING CONSTRUCTION TO IT'S ORIGINAL OR BETTER CONDITION, WHERE NEW WORK ADJOINS EXISTING IN THE SAME PLANE, MATCH ADJACENT FINISHES, MATERIALS, TEXTURES, SHEEN, ETC.
10. AT AREAS OF FLOOR SLAB REPLACEMENT (DUE TO DEMOLITION), PROVIDE VAPOR BARRIER SHEET, BACKFILL TRENCH, COMPACT AND REPLACE SLAB TO MATCH EXISTING ADJACENT IN ELEVATION, FINISH AND REINFORCEMENT.

Date: 01-05-2022

S+A Project No: 18069

Owner Project No:

Drawn By: SV

Checked By: RC

Phase:

100% CONSTRUCTION DOCUMENTS

Sheet Title:

SECOND FLOOR PLAN

Sheet #:

A-202