

Name: Andrew Morgan
License #: PE #57171



COPYRIGHT © 2021 SONG & ASSOCIATES, INC. ALL RIGHTS RESERVED. These drawings and specifications are instruments of service and shall remain the property of Song & Associates, Inc. whether the project for which they were prepared is executed or not. They are not to be used in any manner on other projects or extensions to this project except by agreement in writing with the appropriate competition to Song & Associates, Inc. Reproduction of drawings or specifications by anyone other than Florida Tower & Light Company without the written consent of Song & Associates, Inc. is prohibited.

DELRAY BEACH CRA DEVELOPMENT



**CRA DEVELOPMENT
NEW BUILDING**

95 SW 5TH AVE
DELRAY BEACH, FL 33483

Key Plan:

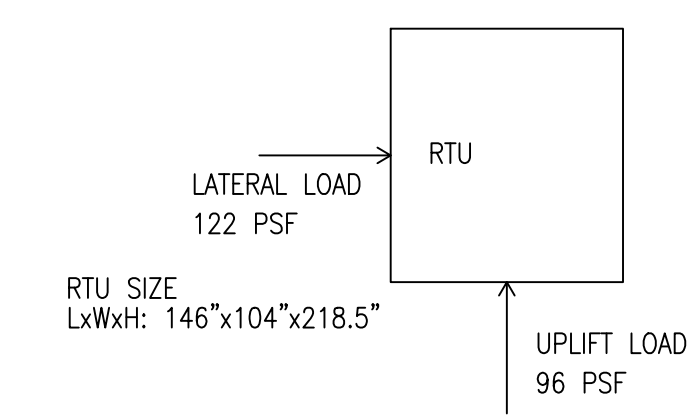
1	RFI #2	10/6/22

Date: 01-05-2022
S+A Project No: 18069
Owner Project No:
Drawn By:
Checked By:

Phase:
100% CONSTRUCTION DOCUMENTS

Sheet Title:
ROOF SECTIONS AND DETAILS

Sheet #:

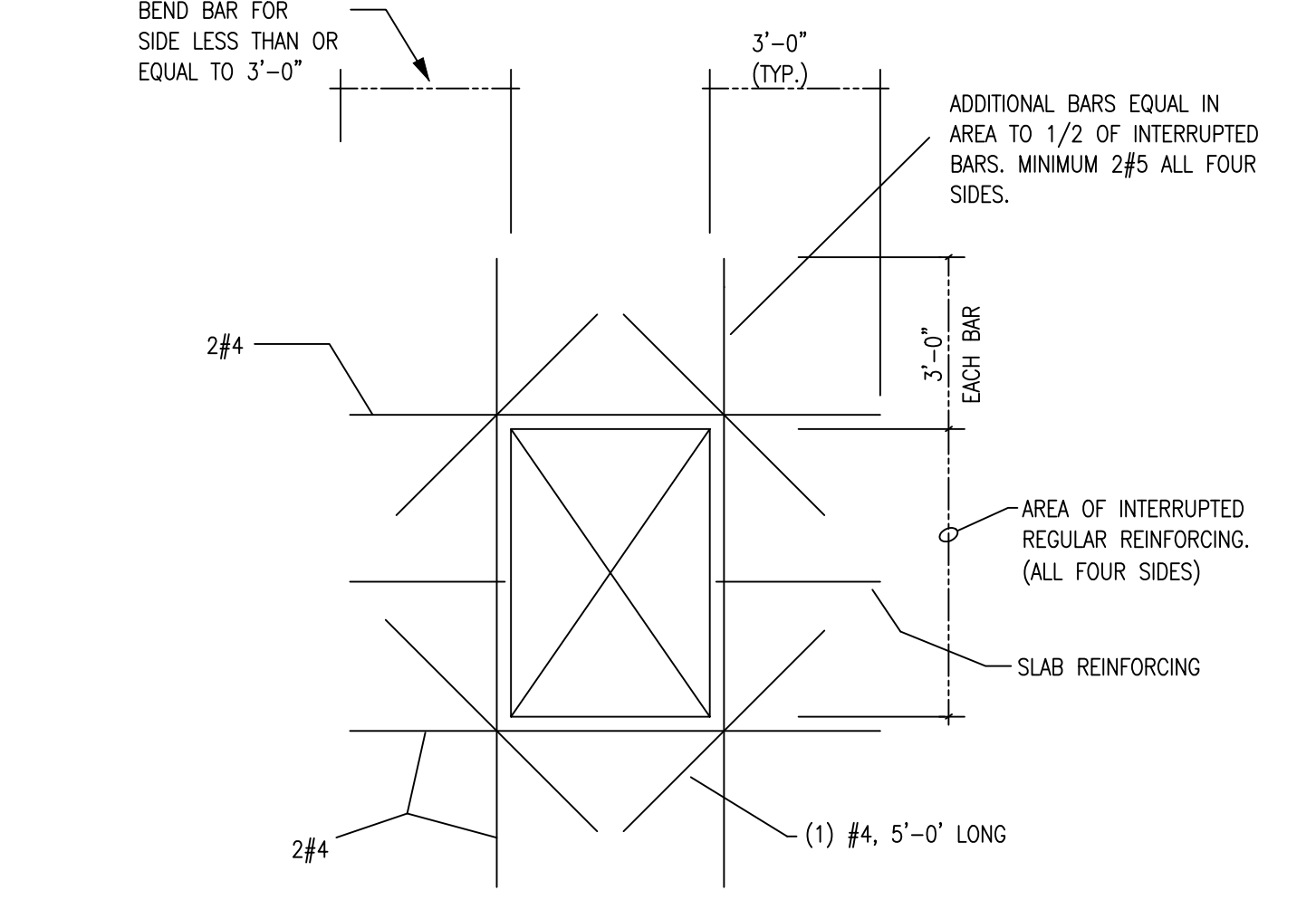
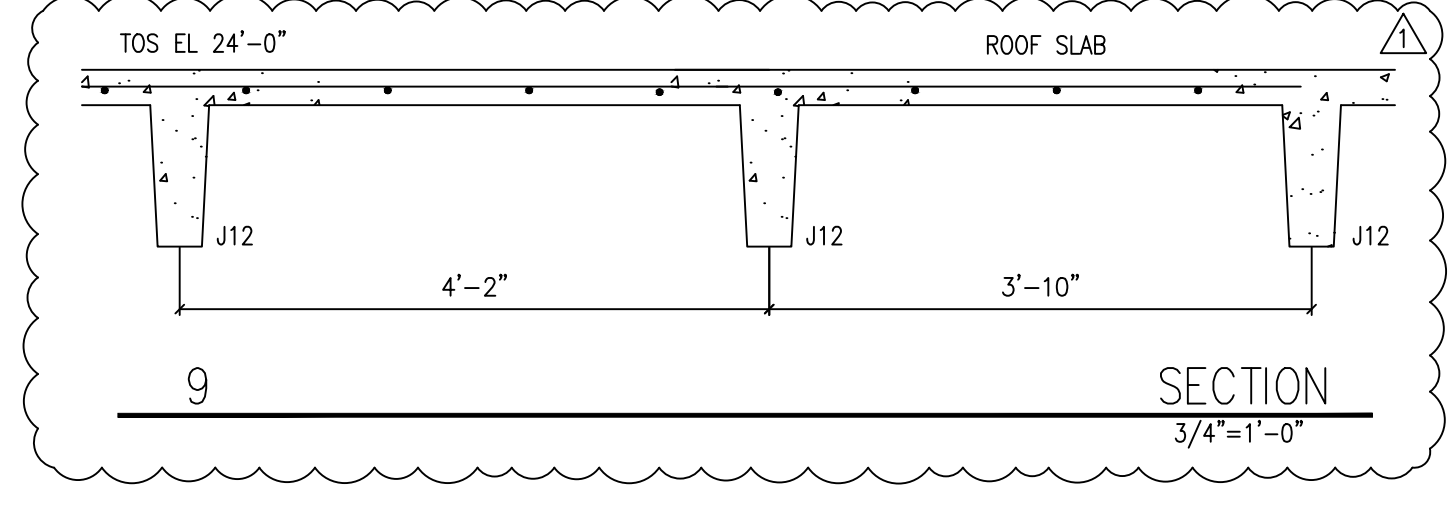
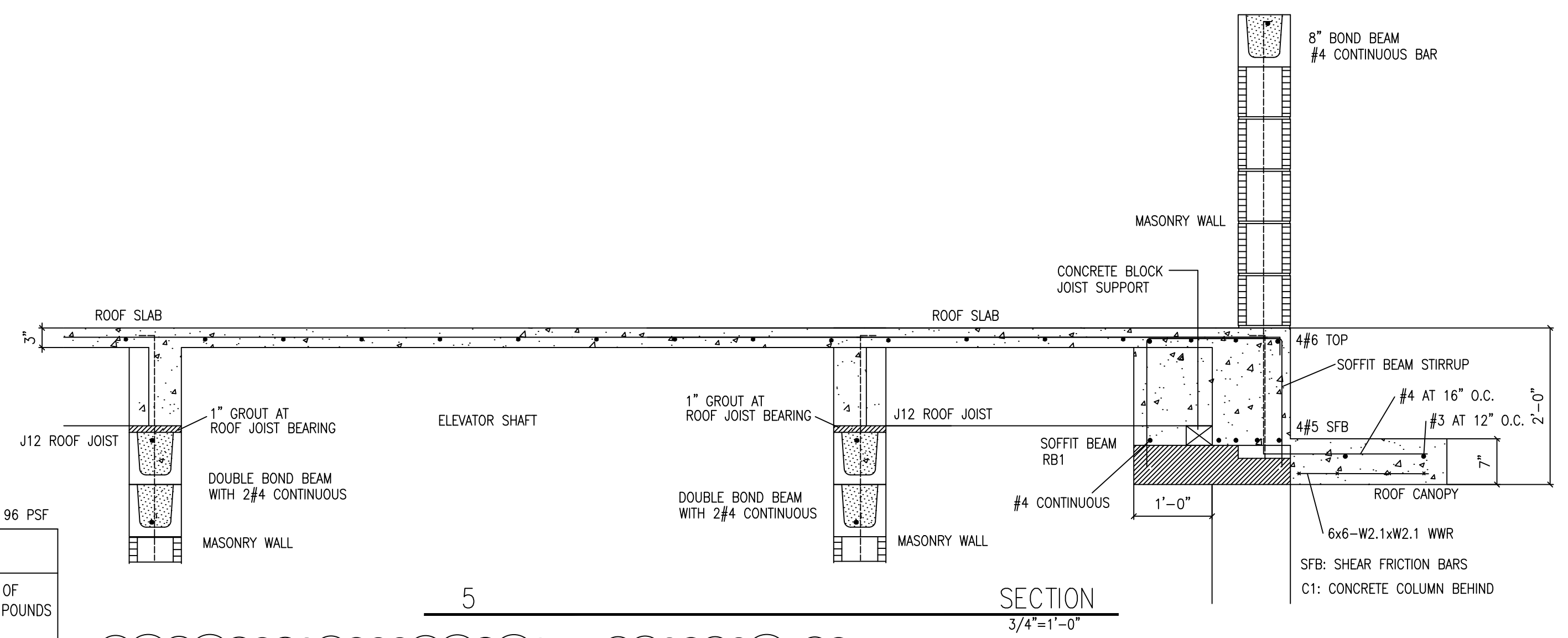


A ULTIMATE WIND LOADS ON ROOF TOP UNITS

DESIGN LOADING PER FLORIDA BUILDING CODE 2020
WIND LOAD PER ASCE 7 16
BASIC ULTIMATE WIND SPEED = 170 MPH (132 MPH ASD)
RISK CATEGORY II WIND EXPOSURE CATEGORY "C"
INTERNAL PRESSURE COEFFICIENT = 0
MEAN UNIT HEIGHT = 27 FT
WIND DIRECTIONALITY FACTOR $K_d = 0.85$ $K_z = 0.96$
BASIC ULTIMATE WIND PRESSURE = 64 PSF
FOR ROOF TOP UNITS,
LATERAL FORCE COEFFICIENT = 1.9 WL = 122 PSF UPLIFT COEFFICIENT = 1.5 WL = 96 PSF

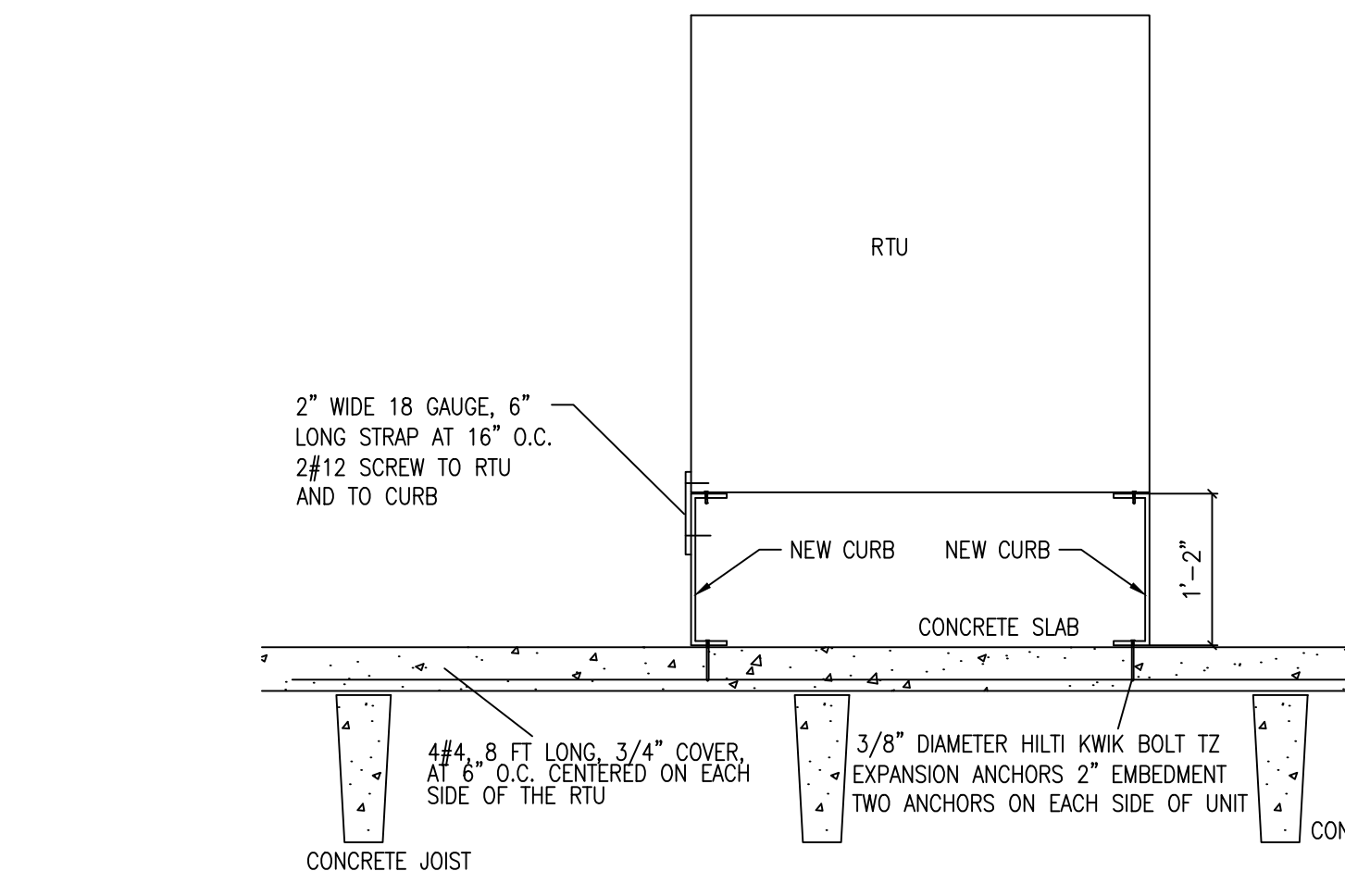
UNIT	LATERAL LOADS ON LENGTH, POUNDS	LATERAL LOADS ON WIDTH, POUNDS	UPLIFT ON UNIT, POUNDS	WEIGHT OF UNIT, POUNDS	WEIGHT OF STAND, POUNDS
RTU-1	2068	1773	1371	380	50*
RTU-2	2068	1773	1371	380	50*
RTU-3	2068	1773	1371	380	50*
RTU-4	2068	1773	1371	380	50*
RTU-5	2490	1899	1769	460	50*
RTU-6	2490	1899	1769	460	50*
RTU-7	2490	1899	1769	460	50*

* ASSUMED. FIELD VERIFY. ASD WIND PRESSURE = 0.6x ULTIMATE WIND PRESSURE

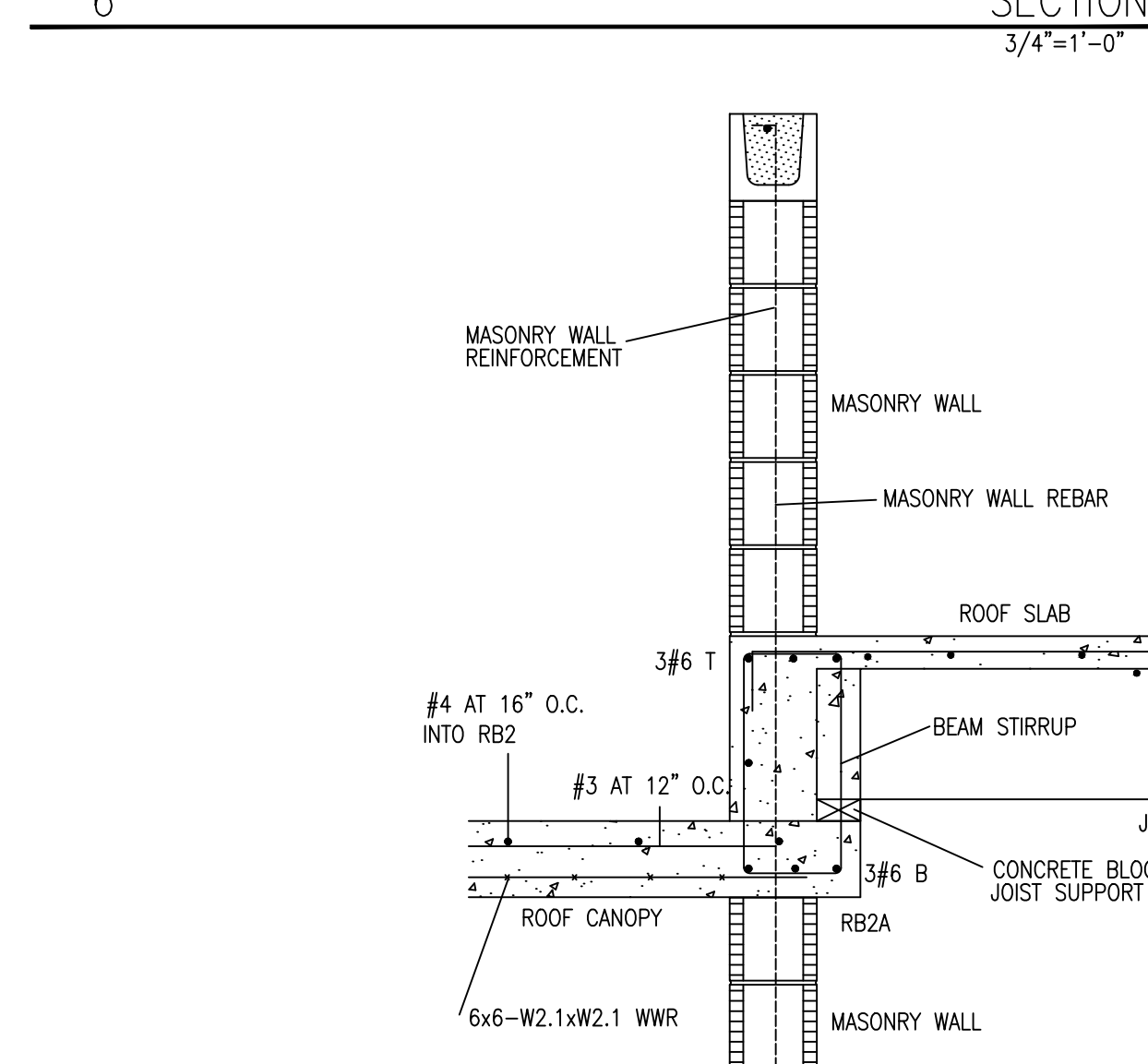
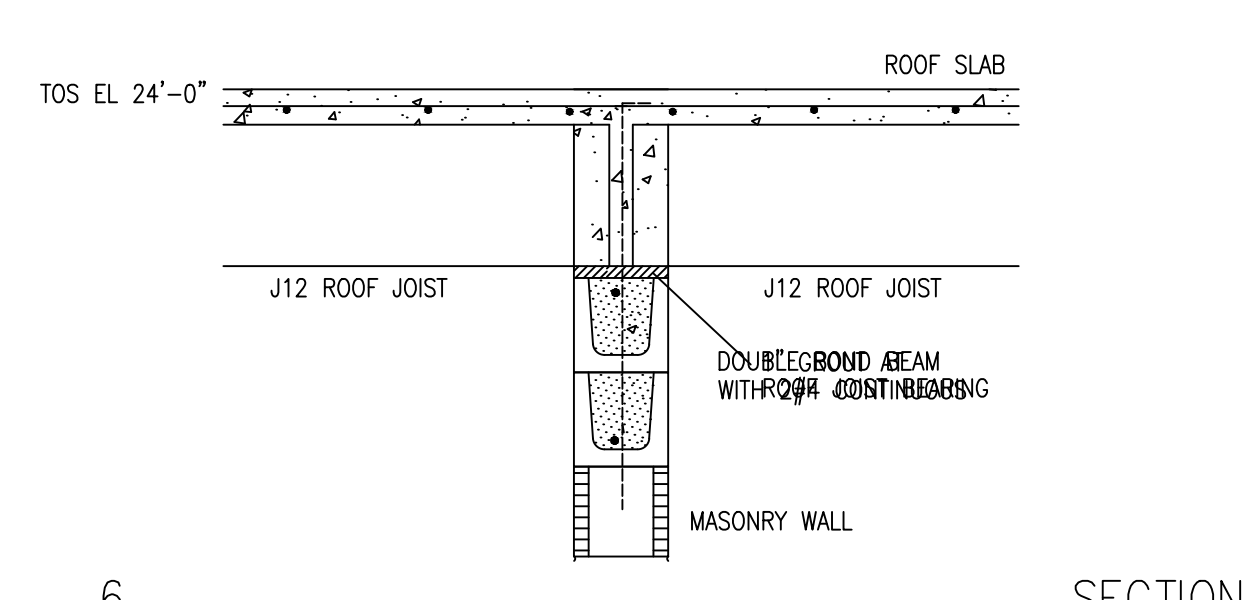


- REINFORCING AT OPENING**
- OMIT ADDED BARS AT OPENINGS OF 10" OR LESS AND RUN NORMAL REINFORCING BY SIDE OF OPENING.
 - OPENINGS SHALL BE SHOWN ON THE REINFORCING STEEL SHOP DRAWINGS.

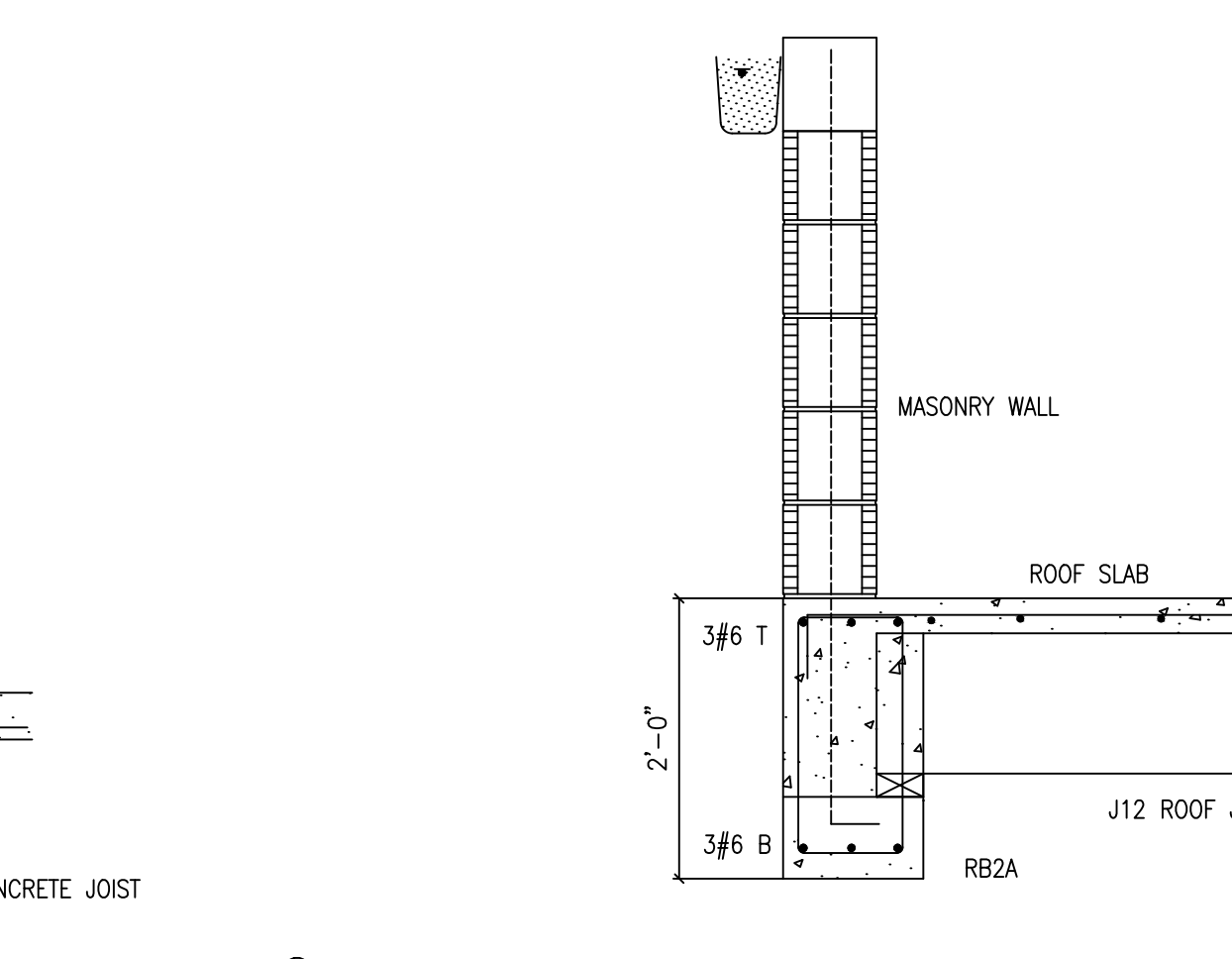
10 SLAB OPENING DETAIL



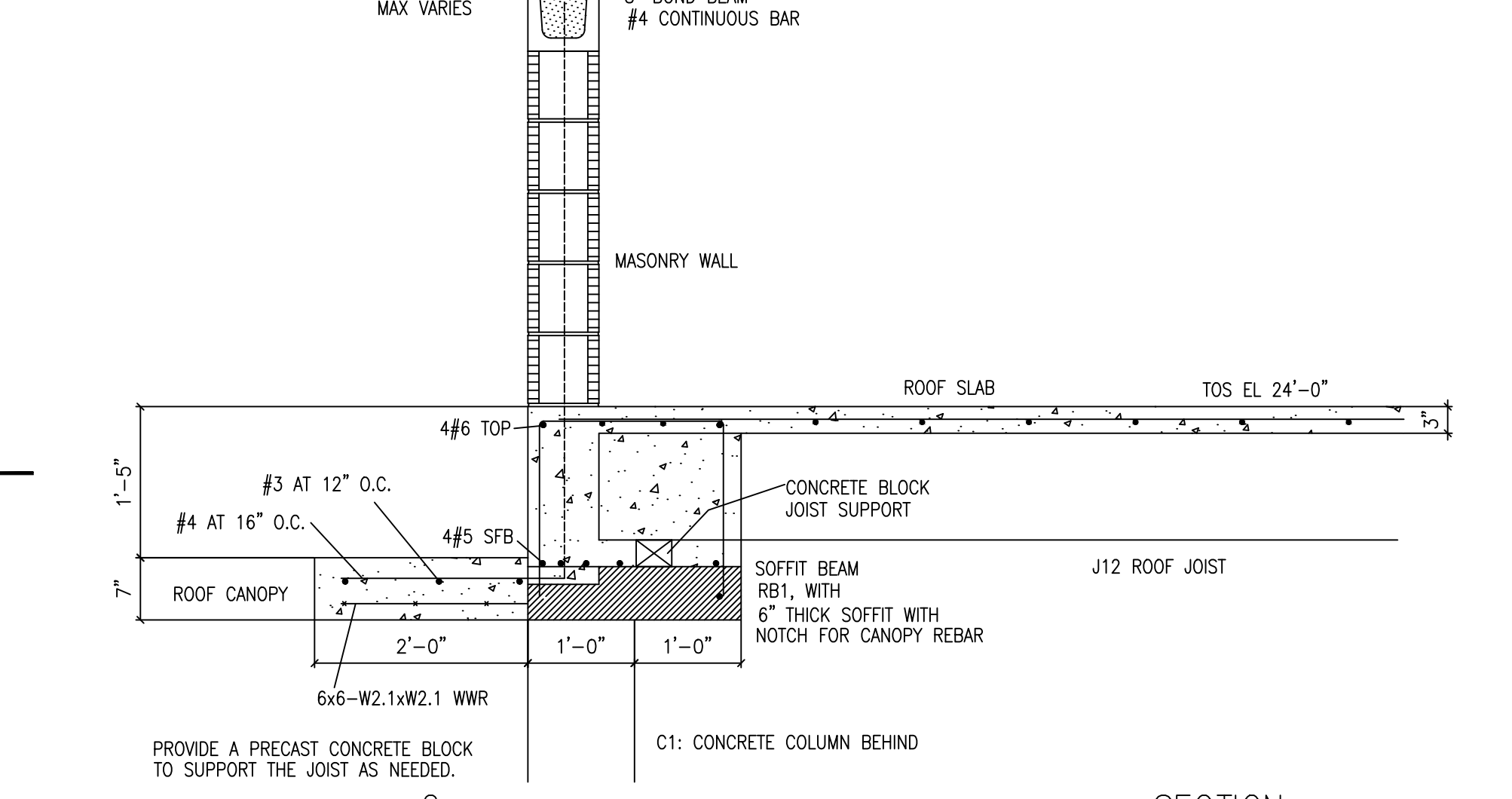
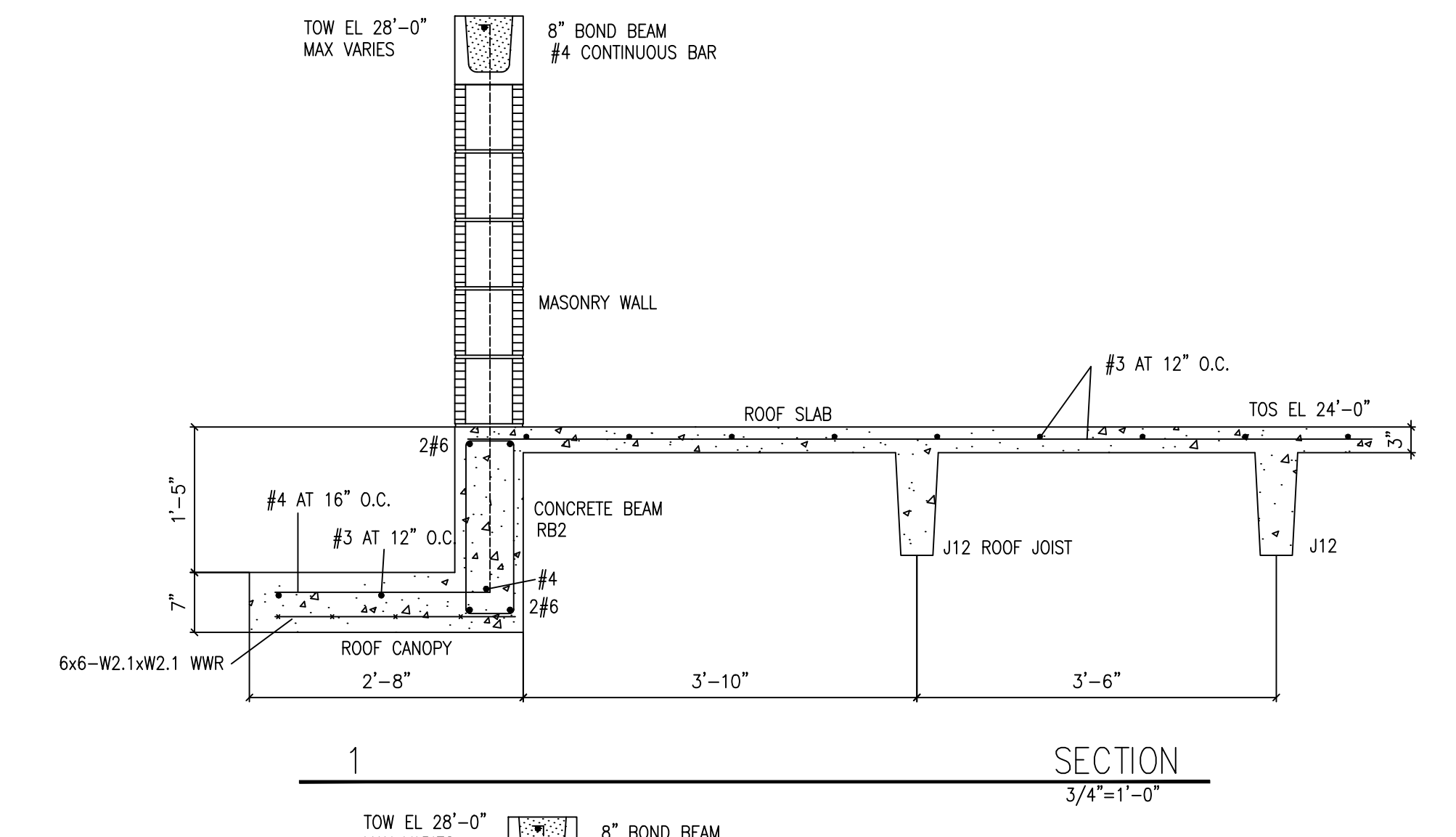
11 ROOF TOP UNIT FASTENING DETAILS



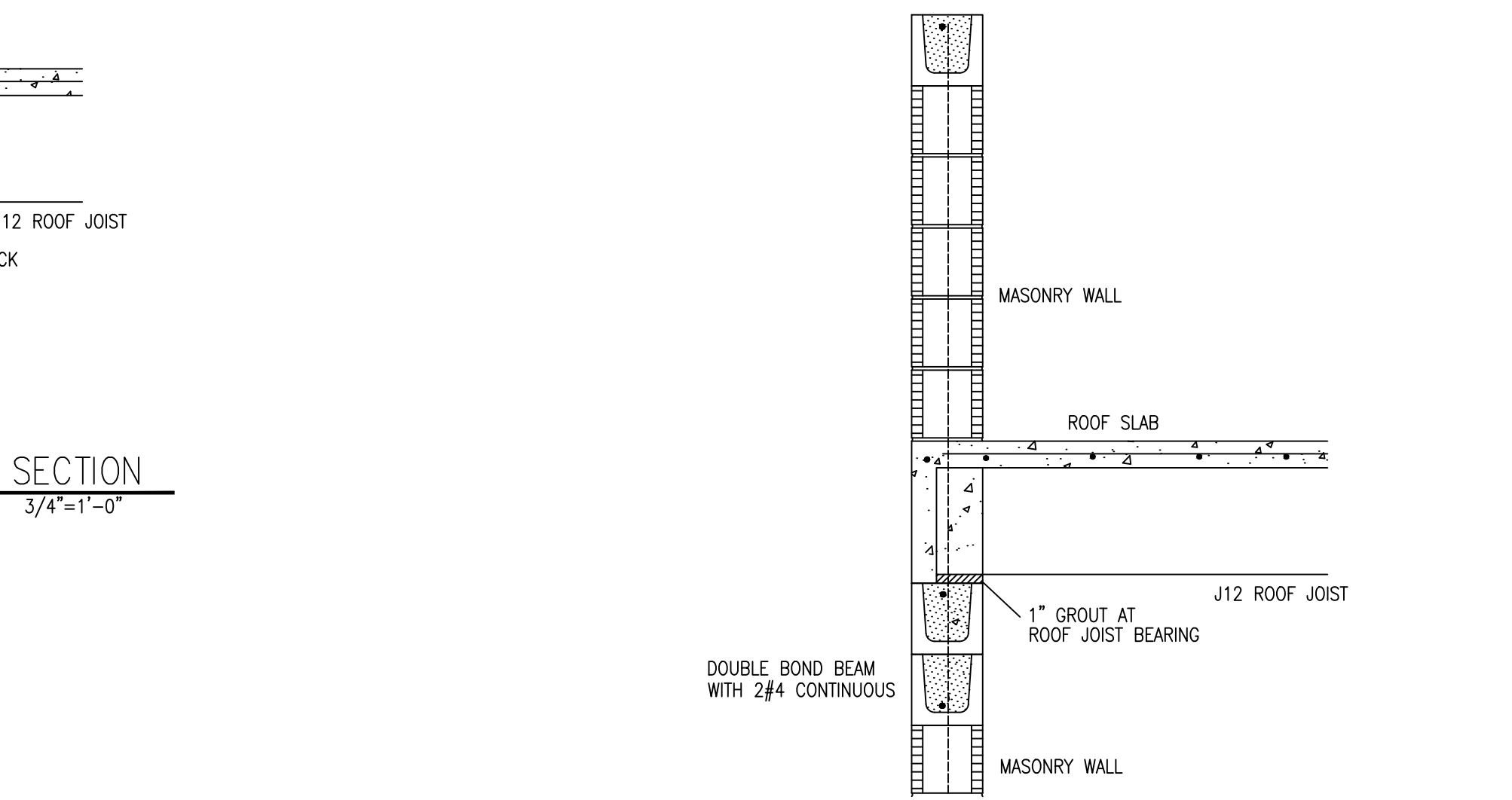
7 SECTION



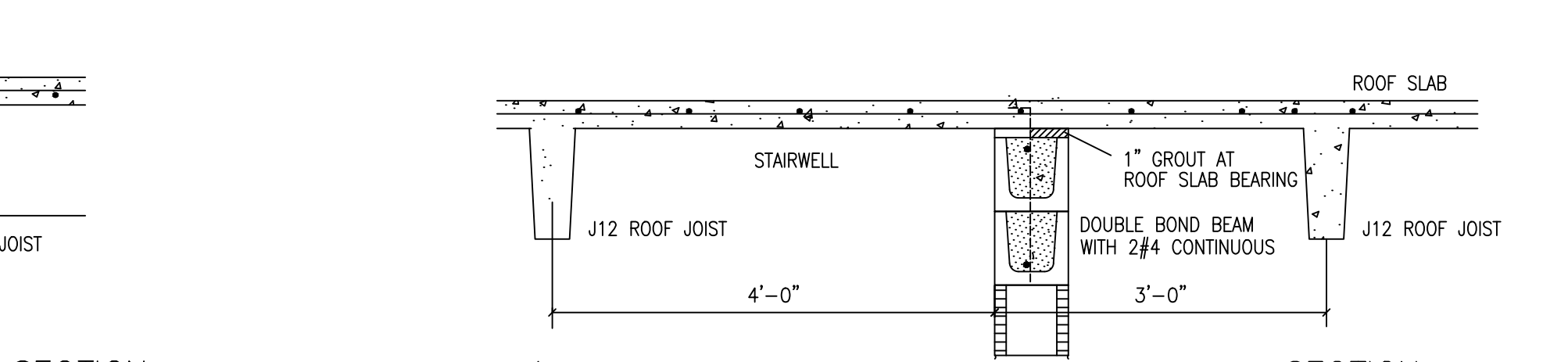
8 SECTION



2 SECTION



3 SECTION



4 SECTION