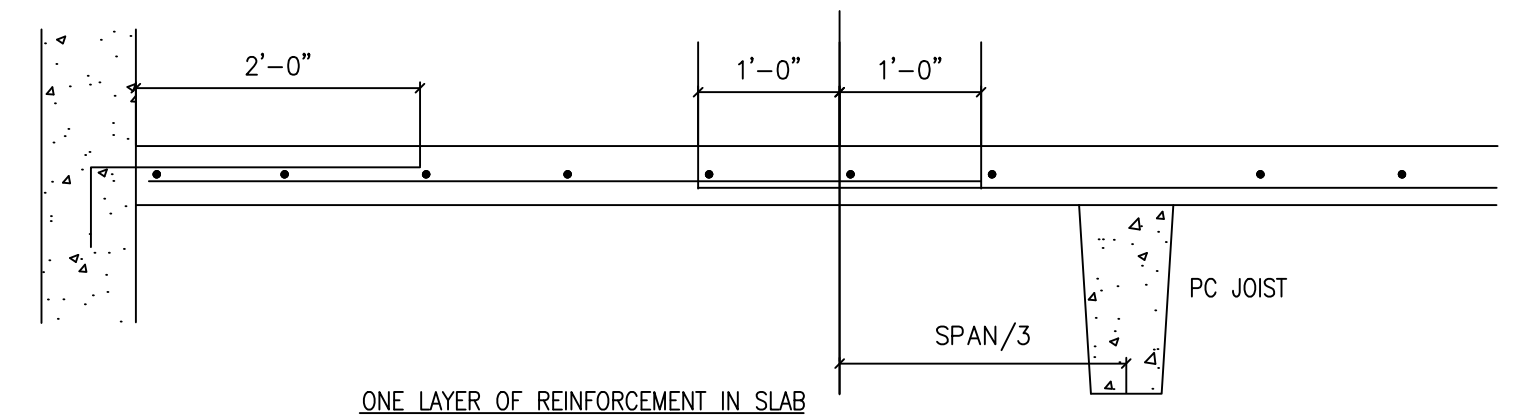


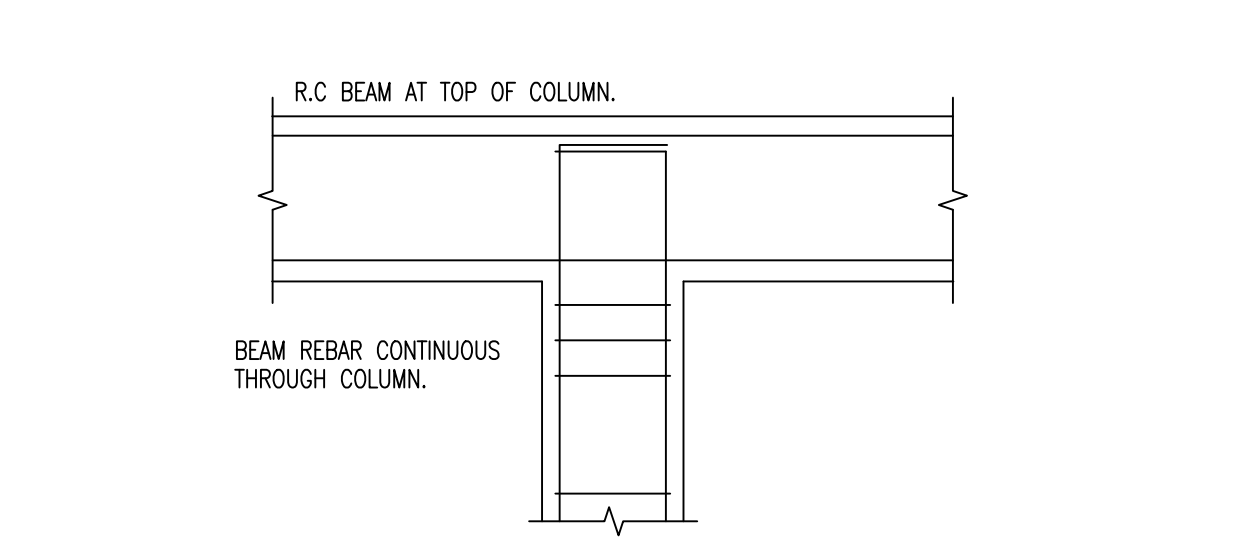
NOTE:
ELEVATED, ROOF SLAB SHALL BE 3" THICK, NORMAL WEIGHT CONCRETE WITH 6" AVERAGE CELLULAR CONCRETE TOPPING. MECH/ELEC CONSULTANT TO CONFIRM TOPPING THICKNESS. SEE PLANS FOR SLAB SUPPORT SPACING.

11 ELEVATED ROOF SLAB REINFORCEMENT DETAIL, TYP NTS

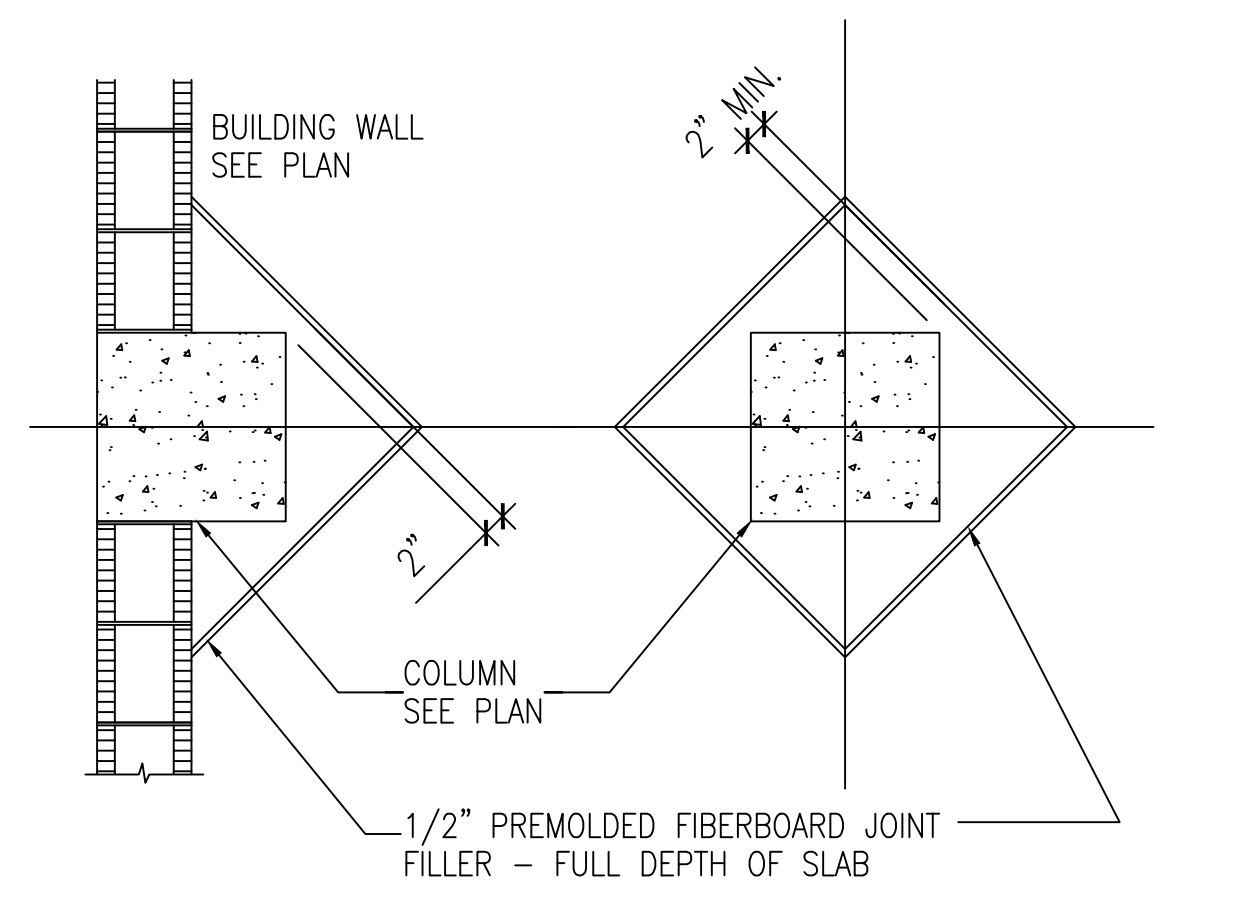


NOTE:
1. LENGTH OF LAP FOR #4 BARS SHALL BE 24 INCHES.
2. TRANSVERSE BARS MAY BE LAPPED AT ANY LOCATION

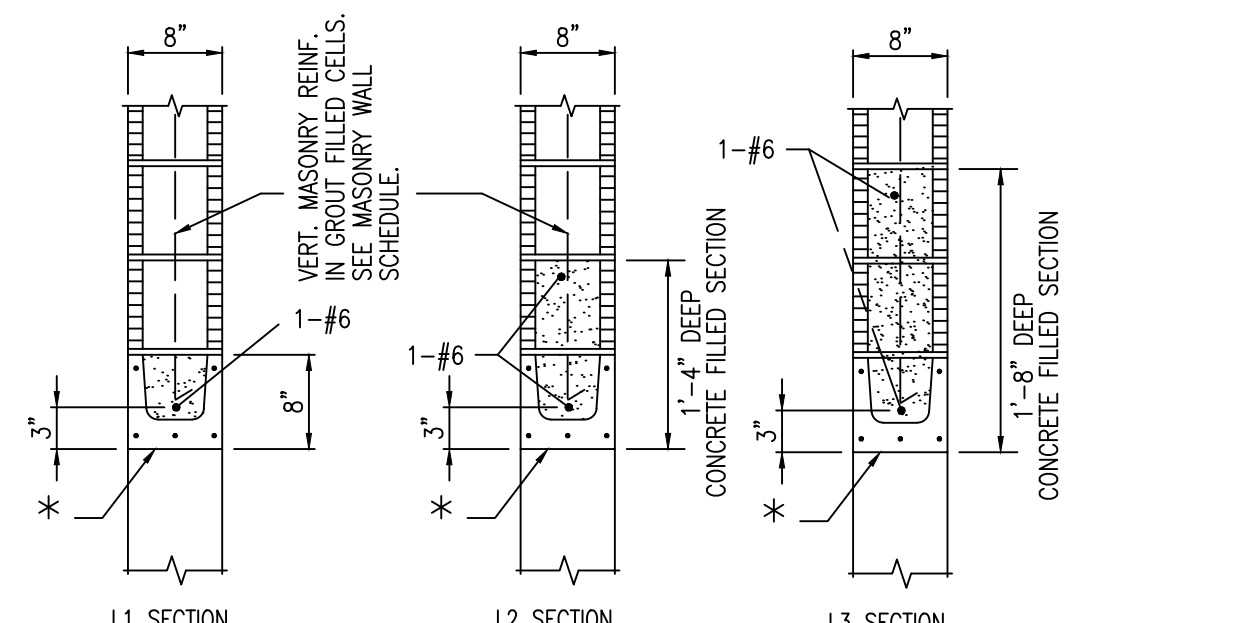
A LAPS FOR SLAB REINFORCEMENT NTS



5A RC COLUMN DETAILS NTS



9 COLUMN ISOLATION JOINT DETAILS NTS



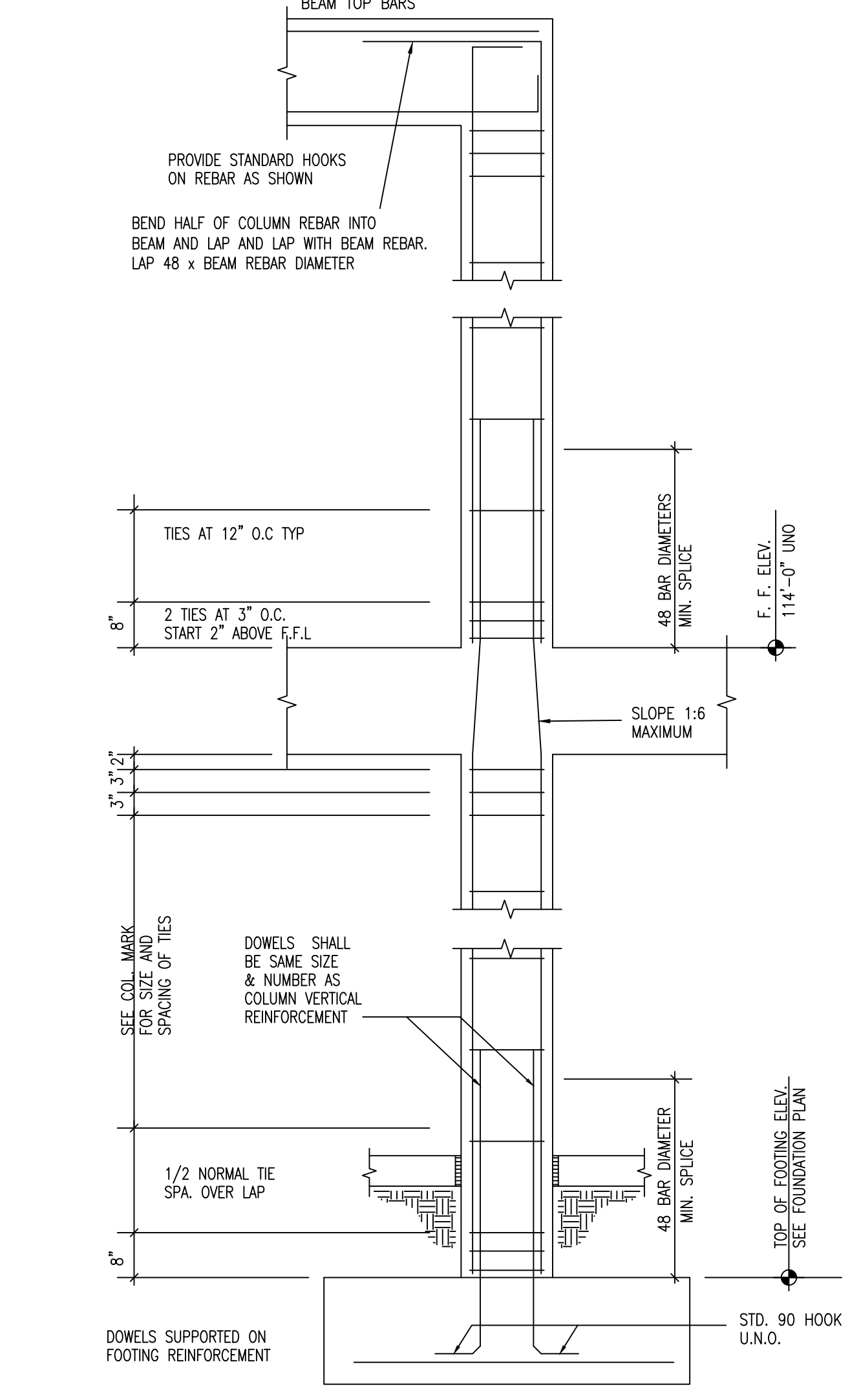
* PRECAST CONCRETE LINTEL AS MANUFACTURED BY CAST-CRETE, OR APPROVED EQUAL WITH 8" BEARING EACH END. ENDS TO HAVE 5 1/2" LONG x 4" WIDE NOTCH TO ACCOMMODATE VERTICAL REINFORCING AND GROUTING. - TYPICAL.

- NOTES:
- GROUT SOLID ALL MASONRY UNITS AS SHOWN.
 - ALL REINFORCING BARS HAVE STANDARD HOOKED AT THEIR ENDS
 - CMU SHALL BE 8" NORMAL WEIGHT LAID IN RUNNING BOND.
 - SHORE LINTEL UNTIL CONCRETE CURES (7 DAY MIN)

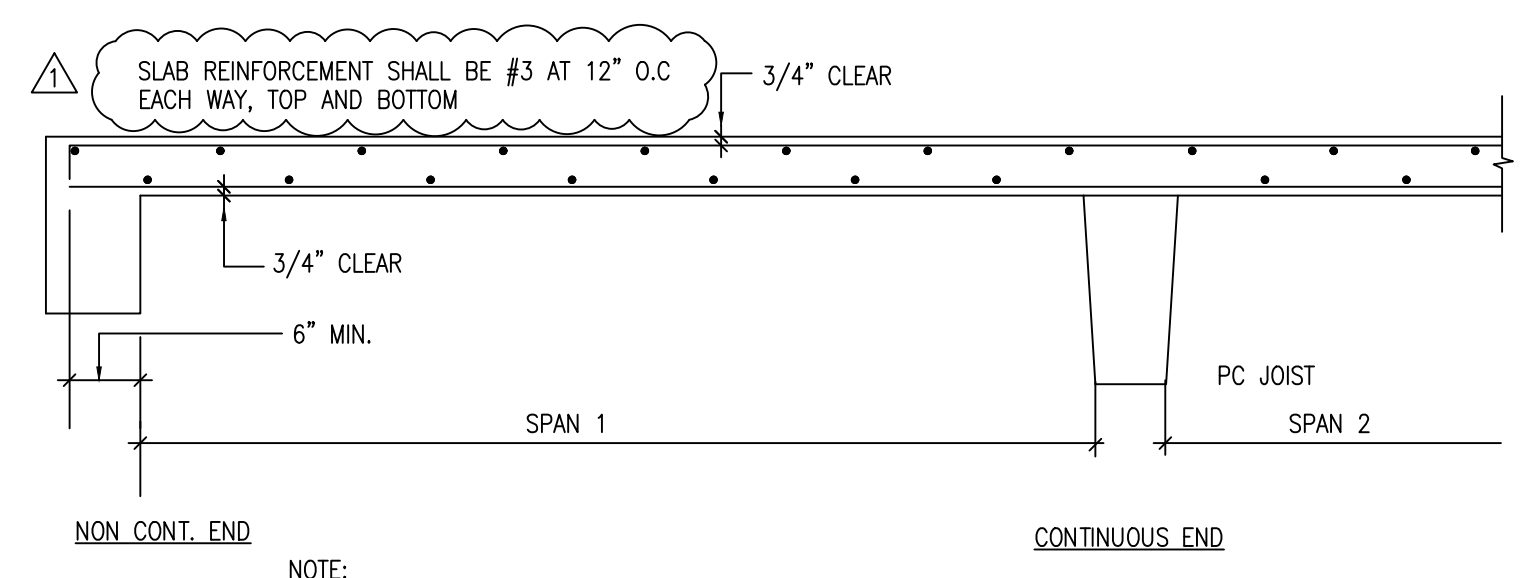
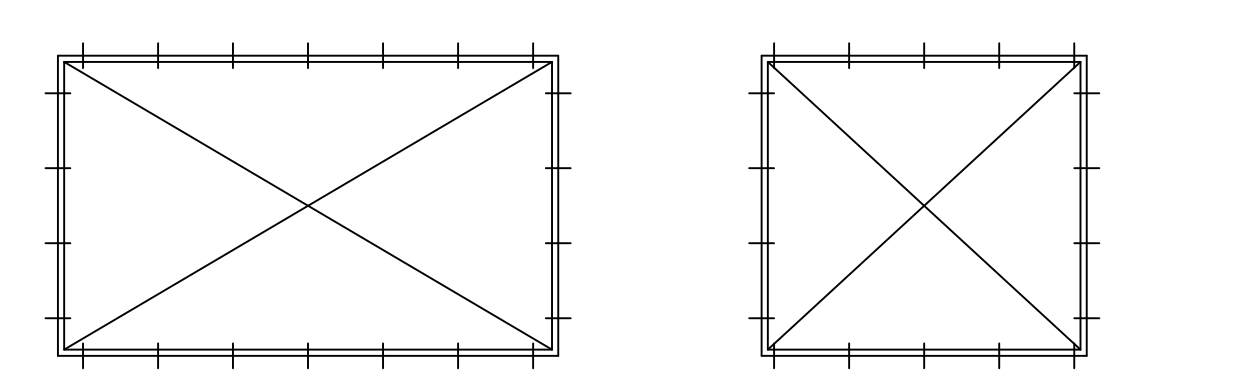
LINTEL SCHEDULE				
PLAN MARK	MAXIMUM OPENING WIDTH FT	CASTCRETE LINTEL DETAILS	ACTUAL LOADS PLF	ALLOWABLE LOADS PLF
L1	4'-0"	8F8, 1T	1100 -636	1969 G -1407 U
L2	8'-0"	8F16, 1T, 1B	1100 -636	1625 G -1133 U
L3	12'-0"	8F24, 1T, 1B	1100 -636	1838 G -962 U

1838 G: 1836 PLF VERTICAL GRAVITY LOAD
-962 U: 962 PLF UPLIFT LOAD

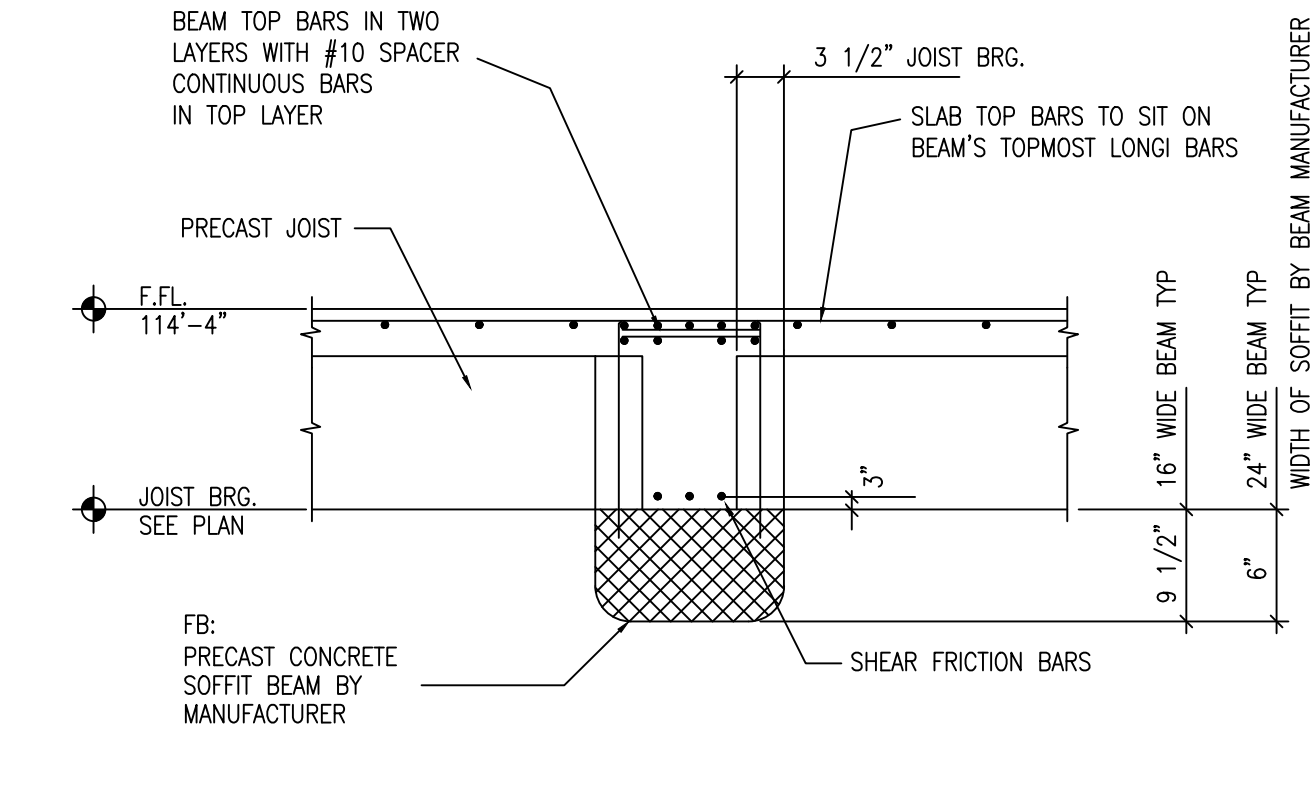
10 CONCRETE MASONRY LINTEL DETAILS NTS



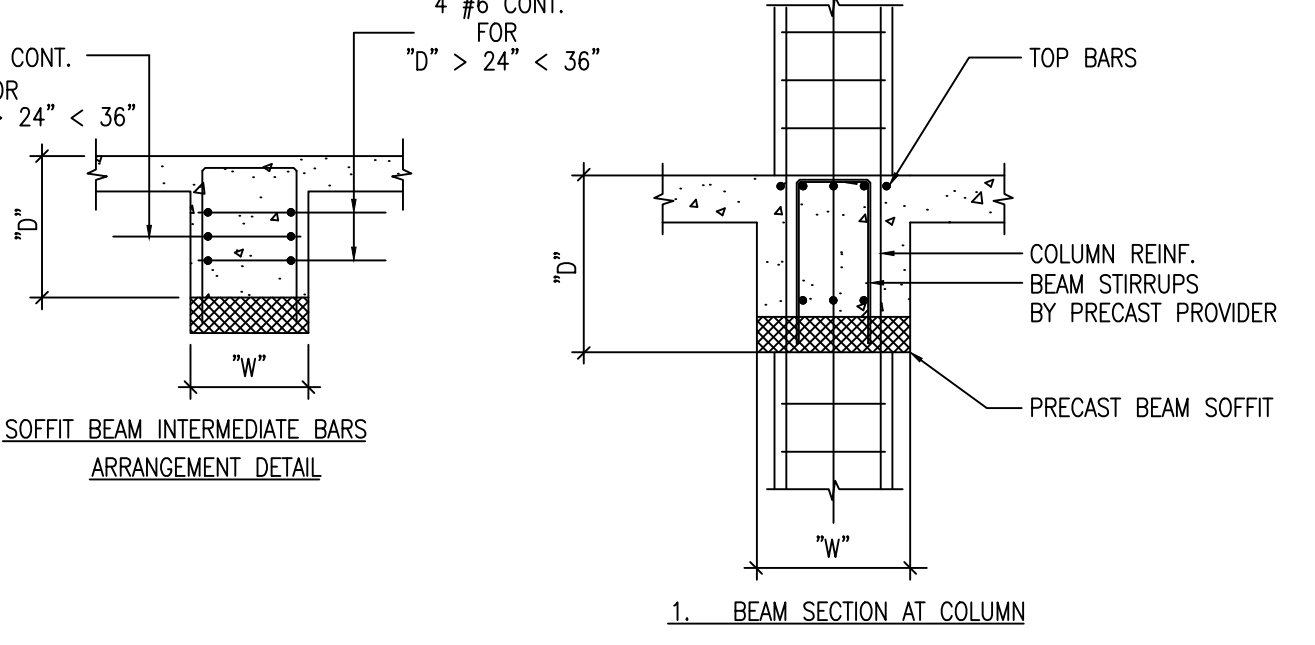
5 TYPICAL RC COLUMN DETAILS NTS



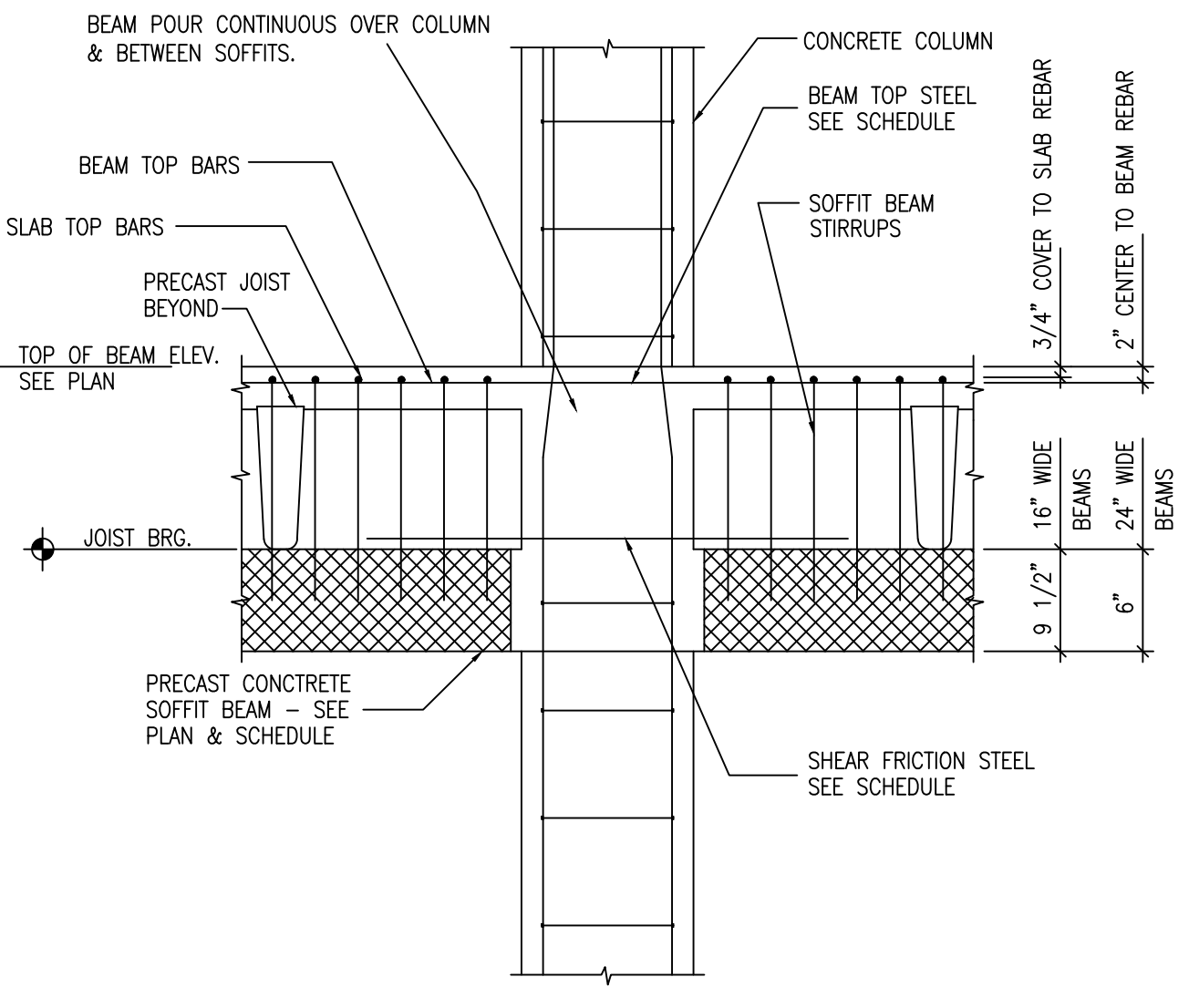
7 FLOOR SLAB REINFORCEMENT LAYOUT NTS



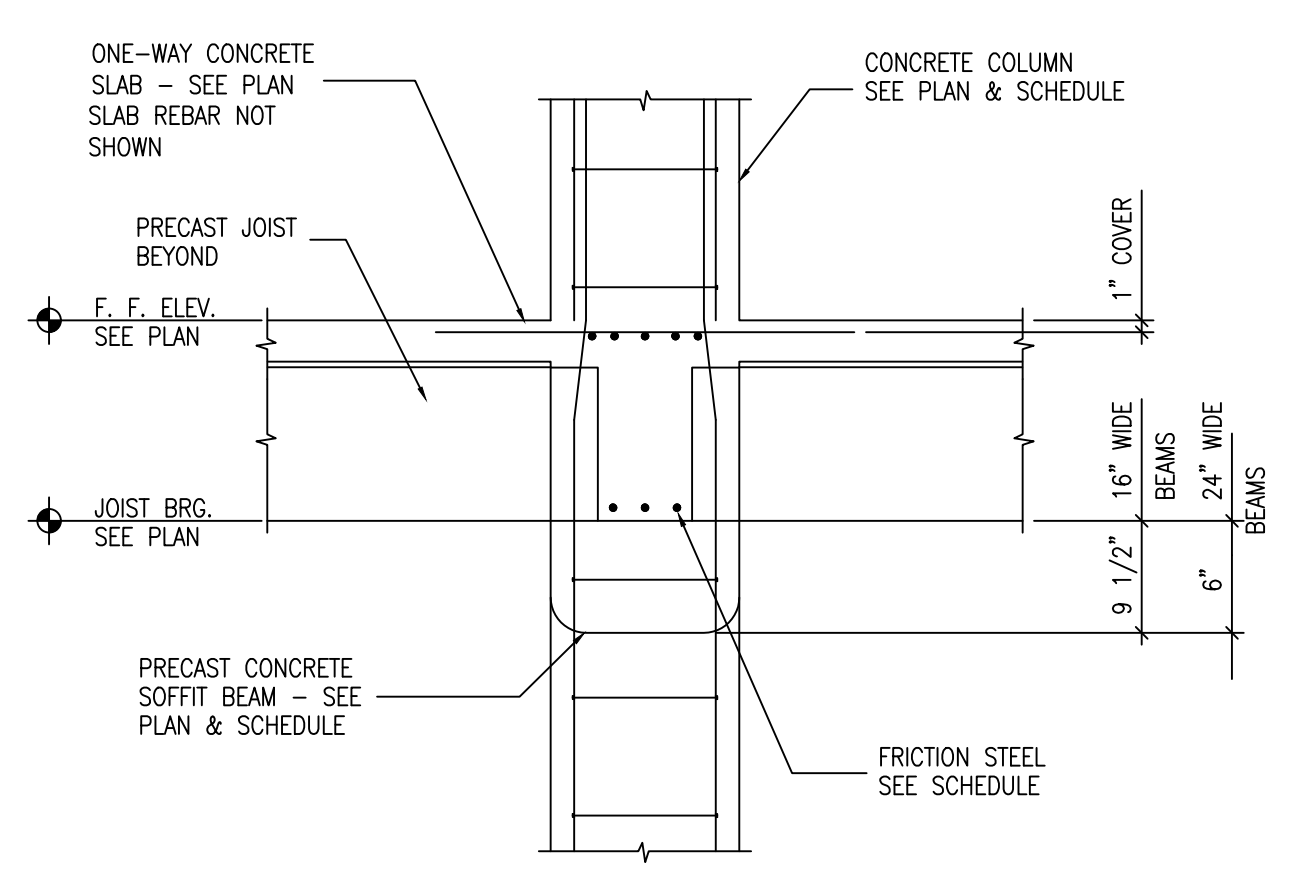
1 TYPICAL SOFFIT BEAM SECTION NTS



2 SOFFIT BEAM DETAILS NTS



3 SOFFIT BEAM TO COLUMN DETAIL NTS



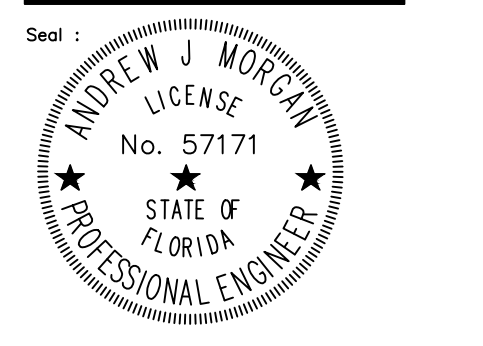
4 SOFFIT BEAM TO COLUMN DETAIL NTS



Song + Associates

Architecture • Planning • Interior Design
1545 Centrepark Drive North
West Palm Beach, Florida 33401
Telephone: 561-655-2423
Fax: 561-655-1482

AA - 0003165 IB - 0001095

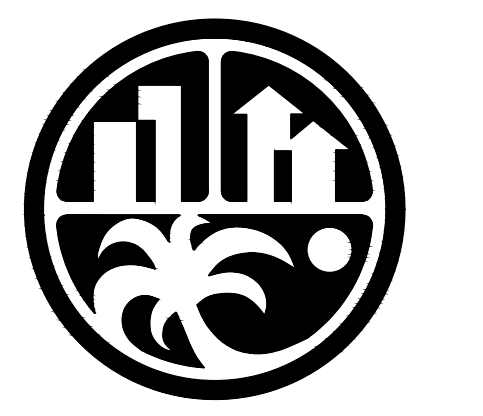


Name: Andrew Morgan
License #: PE #57171



COPYRIGHT ©2021 SONG & ASSOCIATES, INC. ALL RIGHTS RESERVED. These drawings and specifications are instruments of service and shall remain the property of Song & Associates, Inc. whether the project for which they were prepared is executed or not. They are not to be used in any manner on other projects or extensions to this project except by agreement in writing with the appropriate permission to Song & Associates, Inc. Reproduction of drawings or specifications by anyone other than Florida Heave & Light Company without the written consent of Song & Associates, Inc. is prohibited.

DELRAY BEACH CRA DEVELOPMENT



CRA DEVELOPMENT
NEW BUILDING

95 SW 5TH AVE
DELRAY BEACH, FL 33483

Key Plan:

1 RFI #2 10/6/22

Date: 01-05-2022
S+A Project No: 18069
Owner Project No:
Drawn By:
Checked By:

Phase:
100% CONSTRUCTION DOCUMENTS

Sheet Title:
FLOOR SECTIONS AND DETAILS

Sheet #:

S22