

Song + Associates

Architecture • Planning • Interior Design

1545 Centrepark Drive North  
West Palm Beach, Florida 33401  
Telephone: 561-655-2423  
Fax: 561-655-1482

AA - 0003165 IB - 0001095

Seal:



NAME: ROBERT M. CASTROVINCI

LICENSE#: AR98054

DATE: 08-11-2022

CONSULTANTS:

COPYRIGHT © 2021 SONG & ASSOCIATES, INC. ALL RIGHTS RESERVED. These drawings and specifications are instruments of service and shall remain the property of Song & Associates, Inc. whether the project for which they were prepared is executed or not. They are not to be used in any manner on other projects or extensions to this project except by agreement in writing with the appropriate commission to Song & Associates, Inc. Reproduction of drawings or specifications by anyone other than Florida Power & Light Company without the written consent of Song & Associates, Inc. is prohibited.

DELRAY BEACH CRA DEVELOPMENT



CRA DEVELOPMENT  
NEW BUILDING

95 SW 5TH AVE  
DELRAY BEACH, FL 33483

Key Plan:



Date: 01-05-2022

S+A Project No: 18069

Owner Project No:

Drawn By: SV

Checked By: RC

Phase:

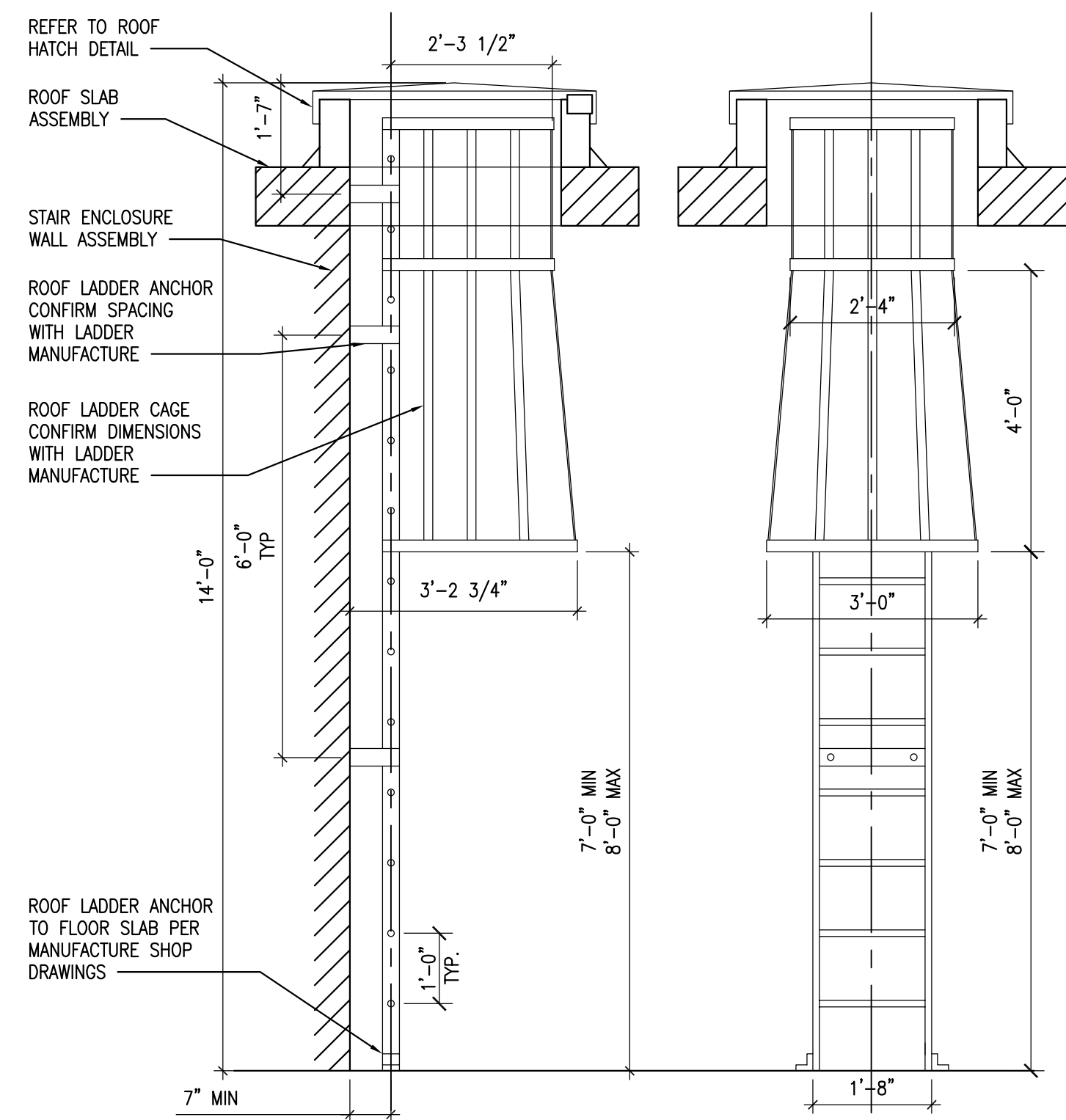
100% CONSTRUCTION DOCUMENTS

Sheet Title:

STAIR AND  
ELEVATOR  
SECTIONS

Sheet #:

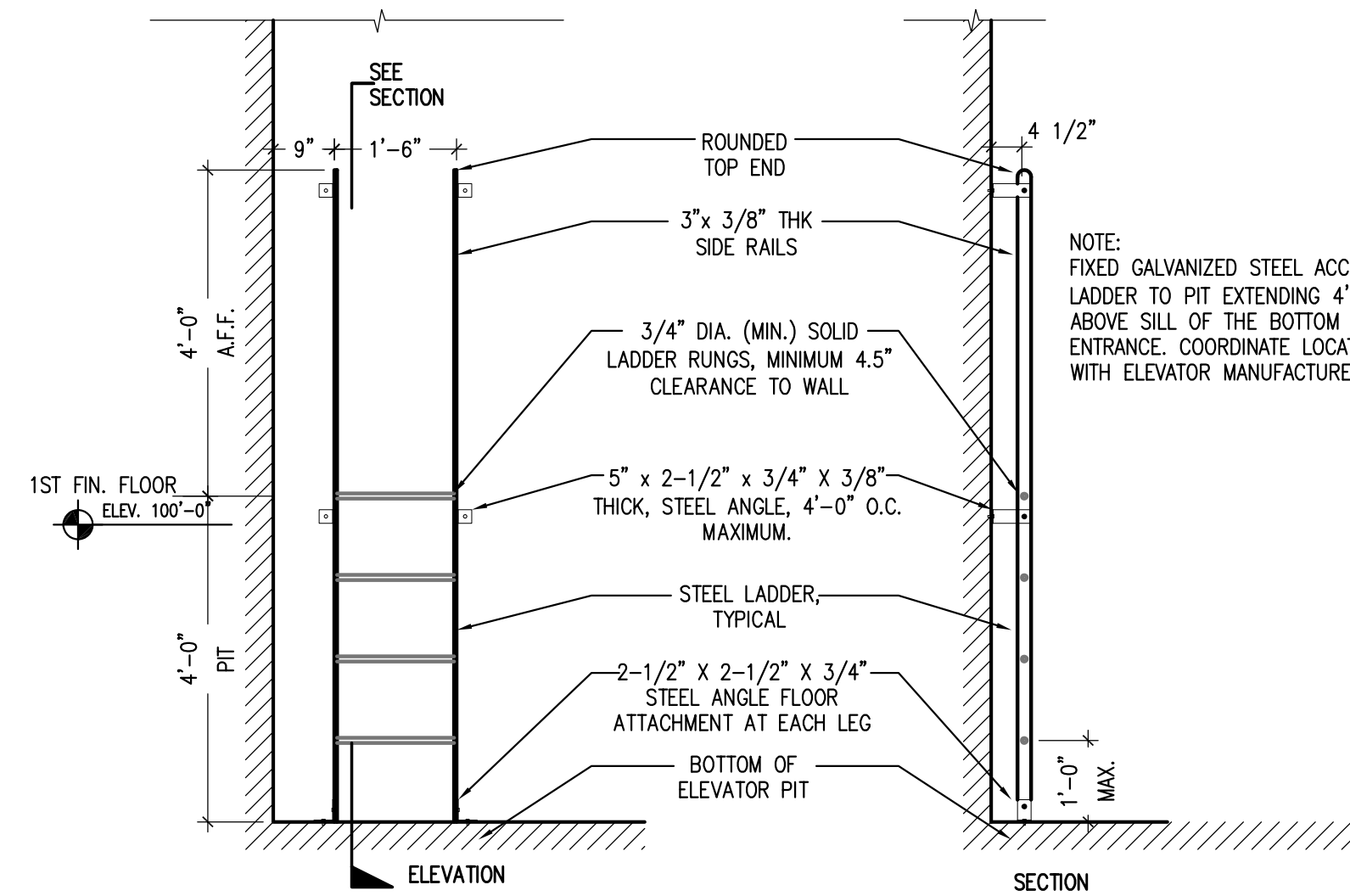
A-621



ROOF ACCESS LADDER DETAIL

03

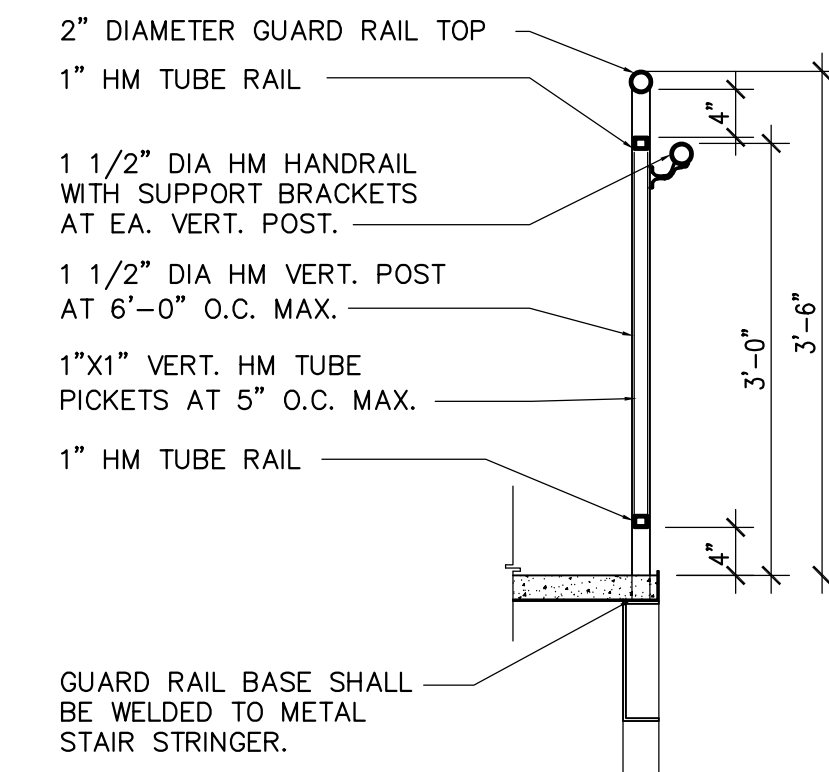
1/2"=1'-0"



ELEVATOR PIT LADDER DETAIL

02

1/2"=1'-0"



RAILING PROFILE DETAIL

01

3/4"=1'-0"

ROOF ACCESS LADDER DETAIL	03	ELEVATOR PIT LADDER DETAIL	02	RAILING PROFILE DETAIL	01
--	1/2"=1'-0"	--	1/2"=1'-0"	--	3/4"=1'-0"